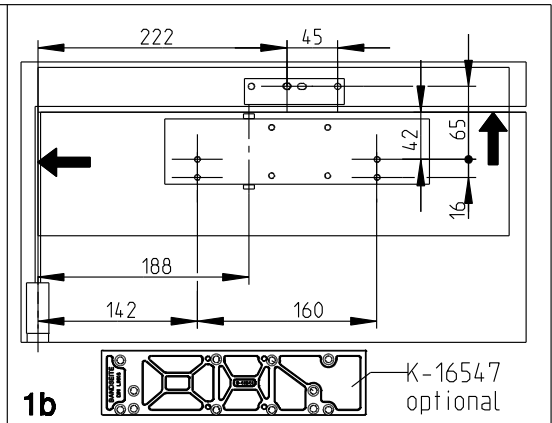
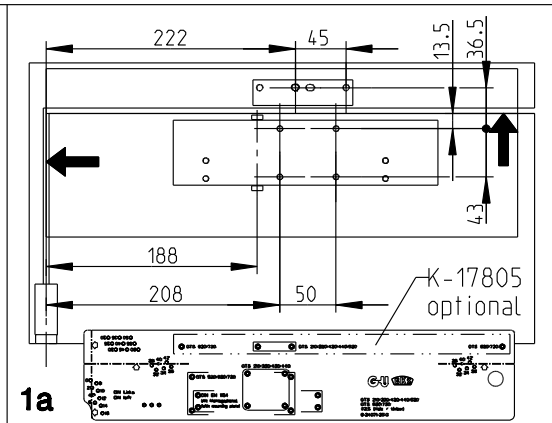
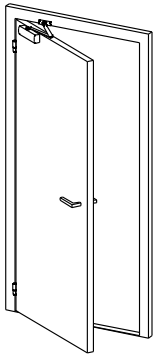


05

Greisch-Unitas GmbH
Baubeschläge
Johann-Haus-Str. 3
D-71254 Ditzingen

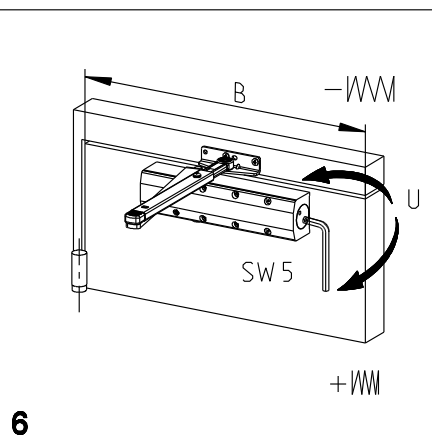
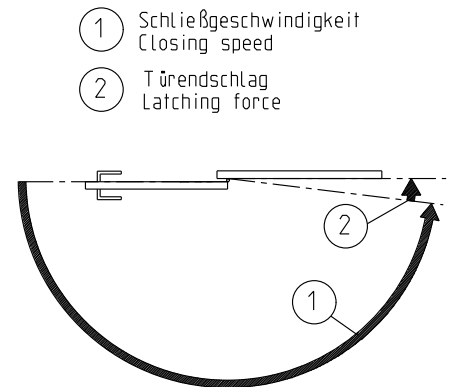
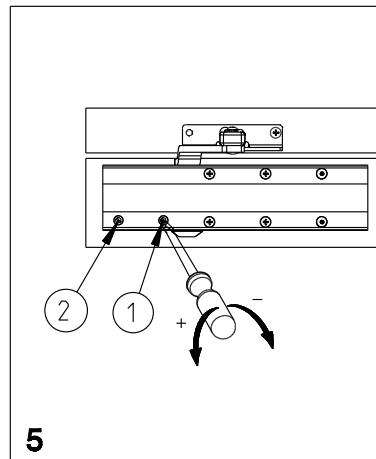
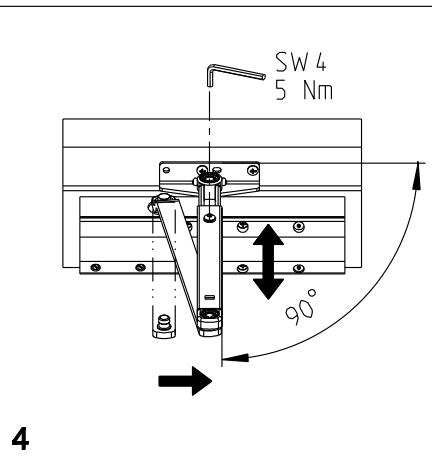
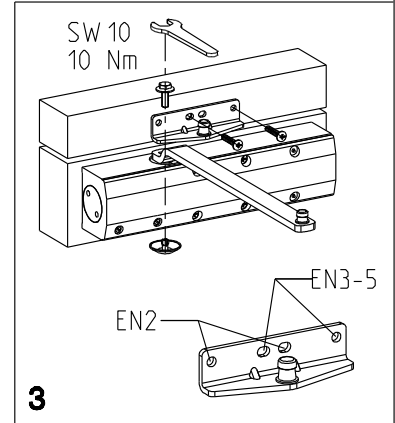
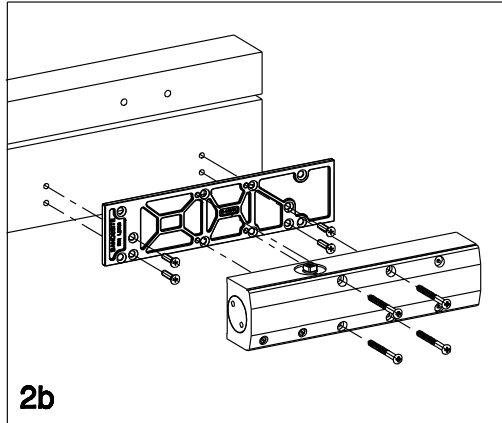
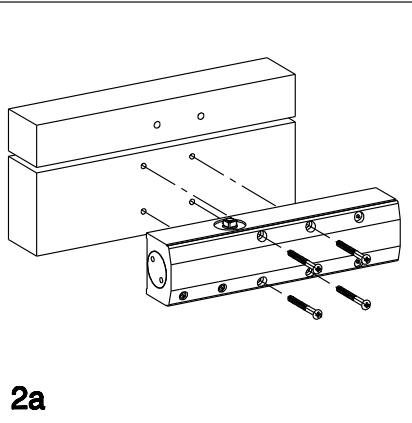
0432-CPD-0067 EN 1154:1996 + A1:2002 4 8 2 1 1 3
Substance:-----
OTS 430



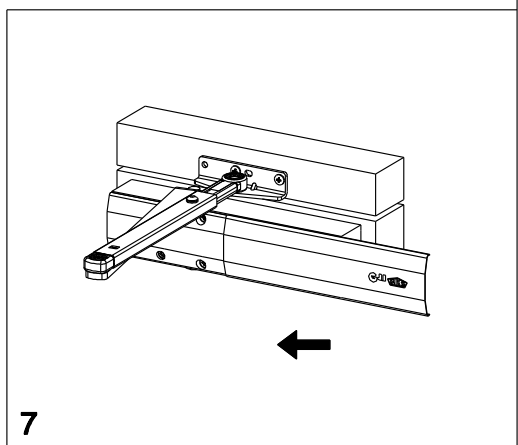
10

Greisch-Unitas GmbH
Baubeschläge
Johann-Haus-Str. 3
D-71254 Ditzingen

2006-OTS-0002 EN 1154:1996 + A1:2002 4 8 2 0 1 3
Substance:-----
OTS 430 BC



Schließkraft closing force		
EN	≤ B	U
2	850mm	0
3	950mm	0
4	1100mm	+ 6
5	1250mm	+16



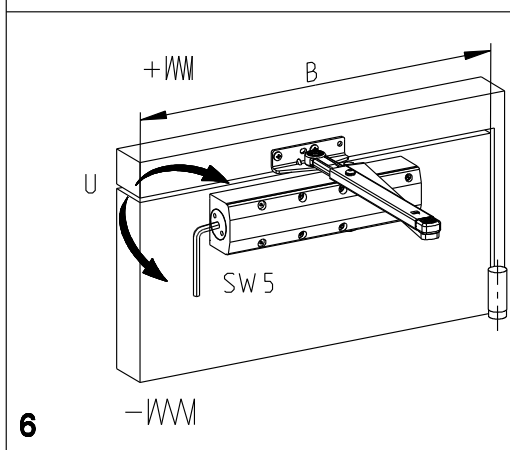
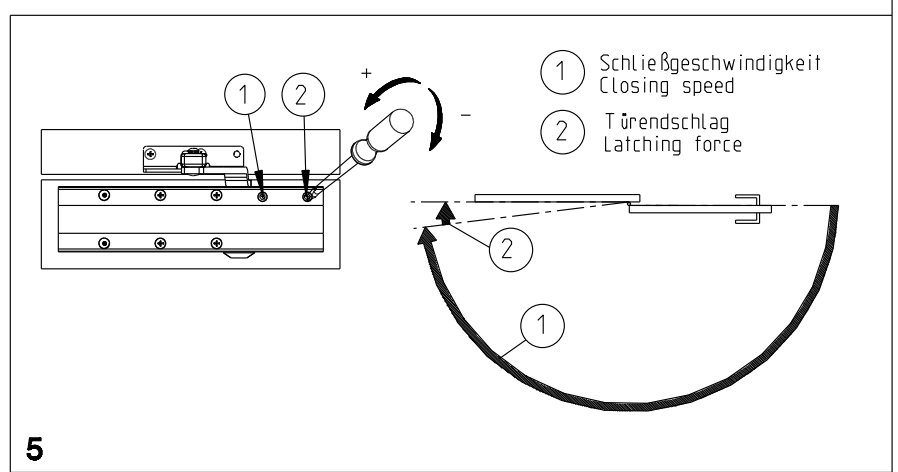
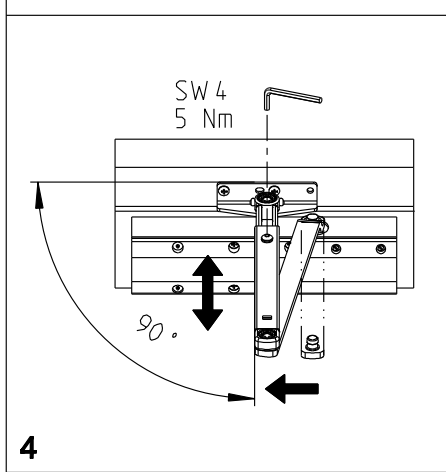
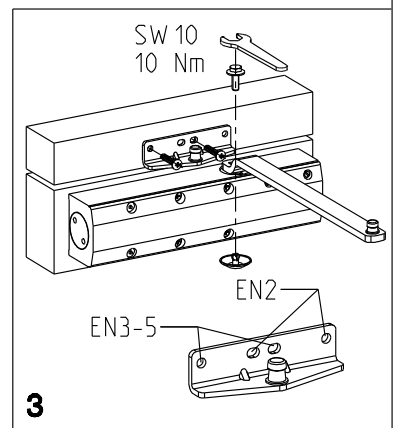
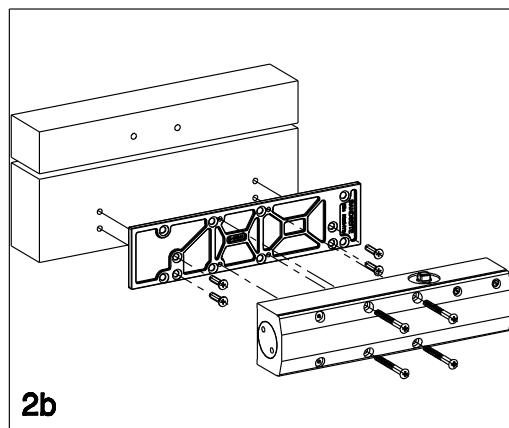
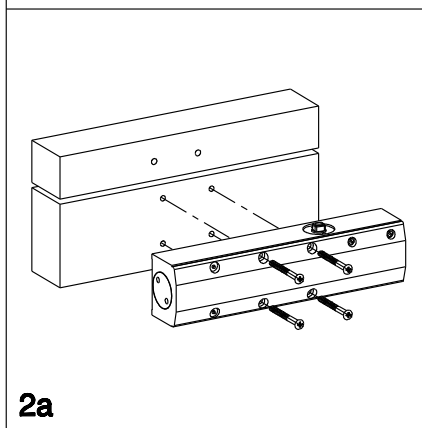
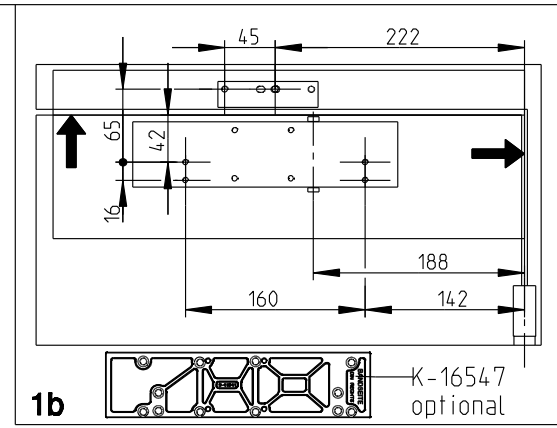
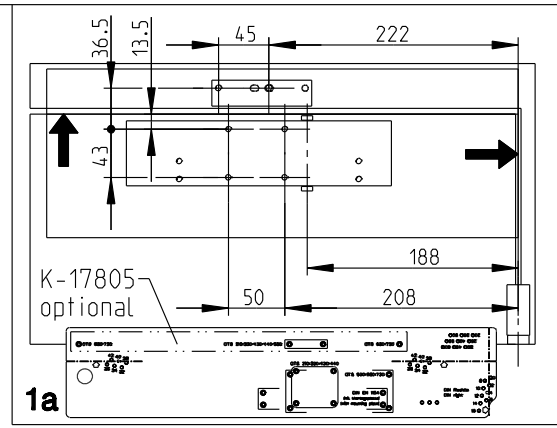
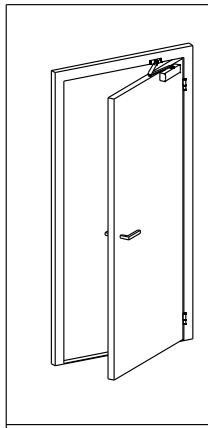
Montageanleitung / assembly instructions
20080521

Description
OTS 430/ OTS 430 BC Normalmontage Bandseite, DIN links K-17051/ K-17982/ K-17983
OTS 430/430 BC standard mounting on hinge side, DIN left K-17051/K-17982/K-17983

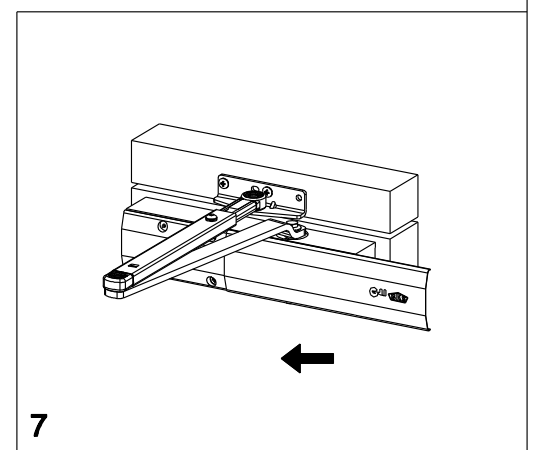
 	Release No. --	Level released	Scale %	Modification 3	Size 4	
	Mod. No. G24616	Ver. -				Si
	Replacement for M-00097, M-00112	Draft 17.02.2010				Se
Drawing No. 0-45360-PF-0-0				Sheet 1/4		

Proprietary rights apply in accordance with ISO 16016.

Proprietary rights apply in accordance with ISO 16016.



Schließkraft-closing force		
EN	≤ B	U
2	850mm	0
3	950mm	0
4	1100mm	+ 6
5	1250mm	+16

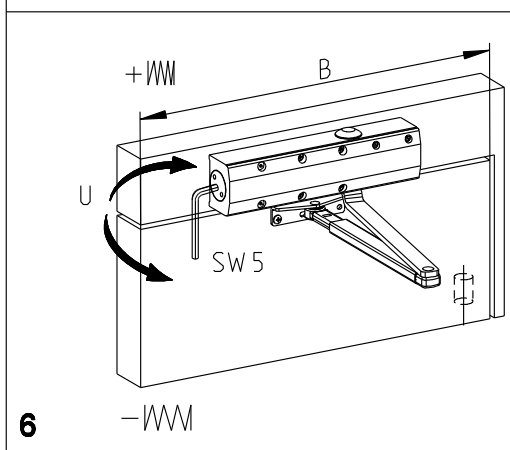
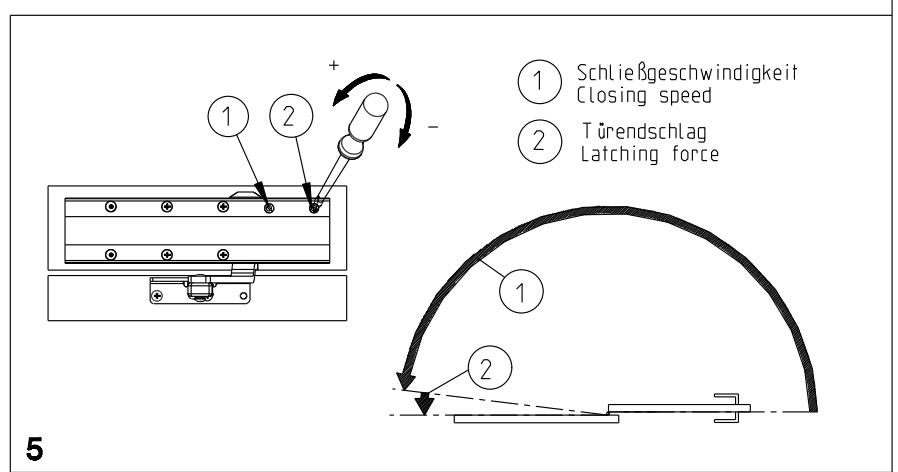
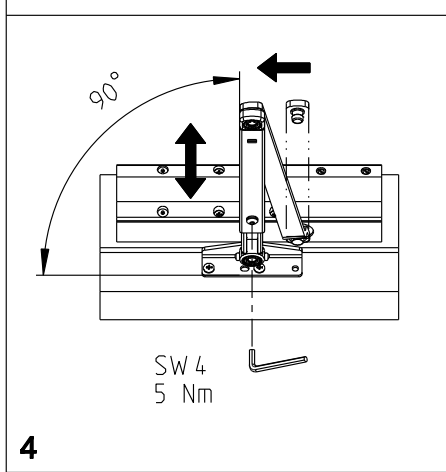
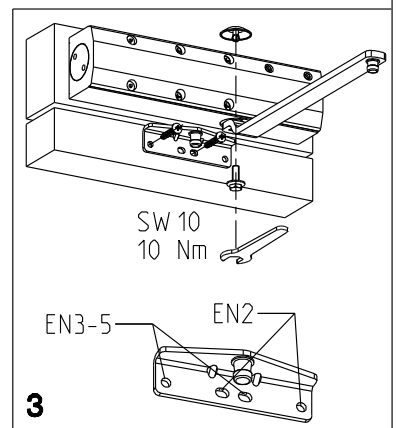
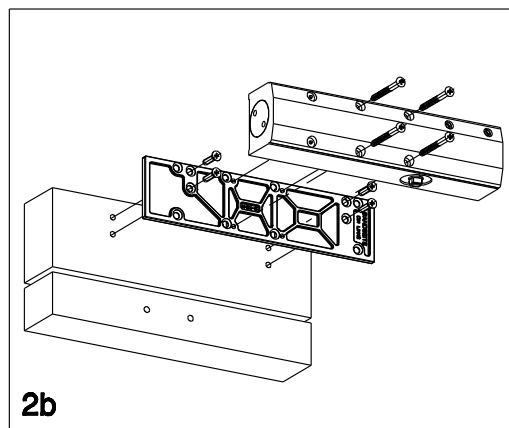
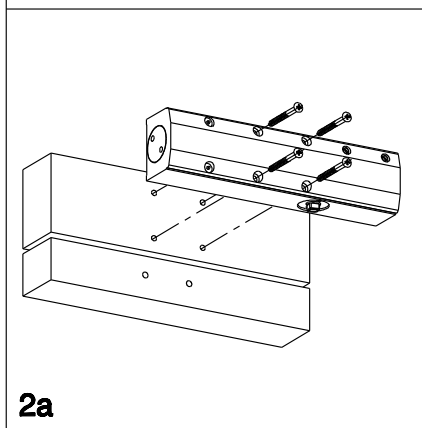
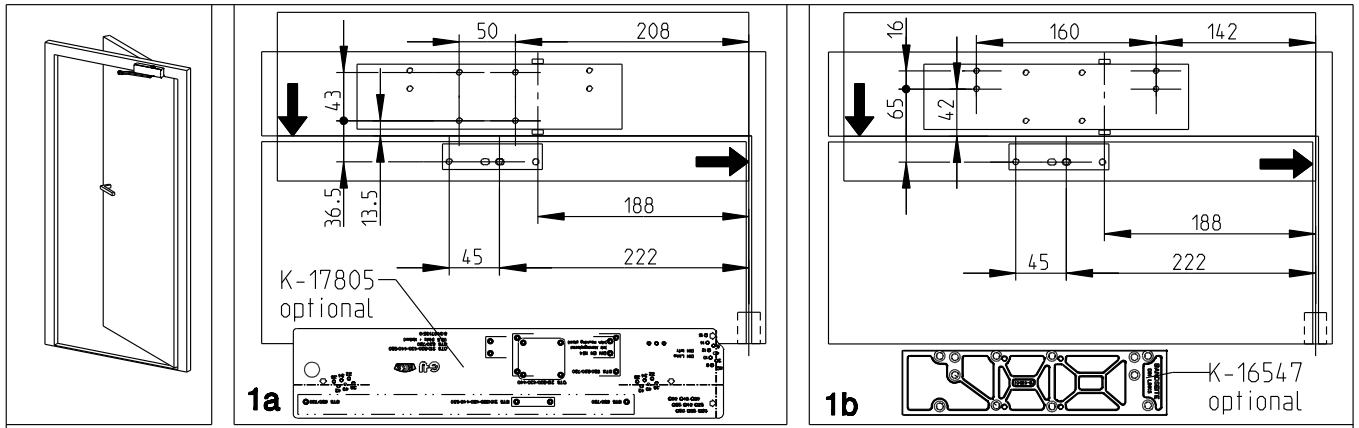


Montageanleitung / assembly instructions
20080521

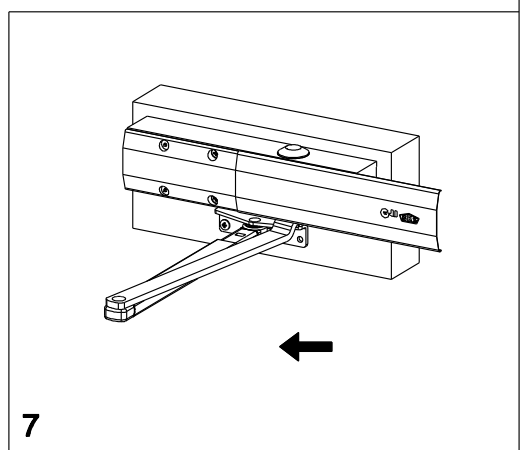
Description
OTS 430/ OTS 430 BC Normalmontage Bandseite,DIN rechts K-17051/ K-17982 /K-17983
OTS 430/430 BC standard mounting on hinge side,DIN right K-17051/K-17982/K-17983

	Release No.	Level		Scale	Modification	Size
	--	released				
	Mod. No.	Ver.	--			
	G24616	Draft	17.02.10	Se	Drawing No.	Sheet
Replacement for M-00097, M-00112					0-45360-PF-0-0	2/4

Proprietary rights apply in accordance with ISO 16016.



Schließkraft closing force		
EN	≤ B	U
2	850mm	0
3	950mm	0
4	1100mm	+ 6
5	1250mm	+16

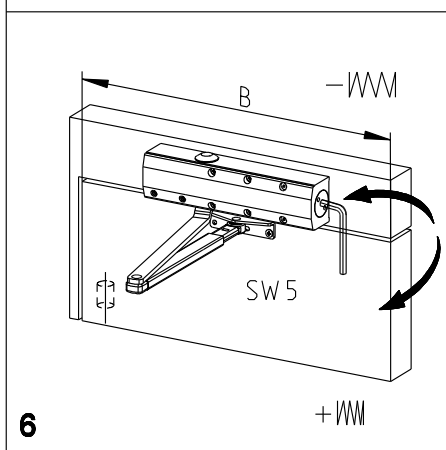
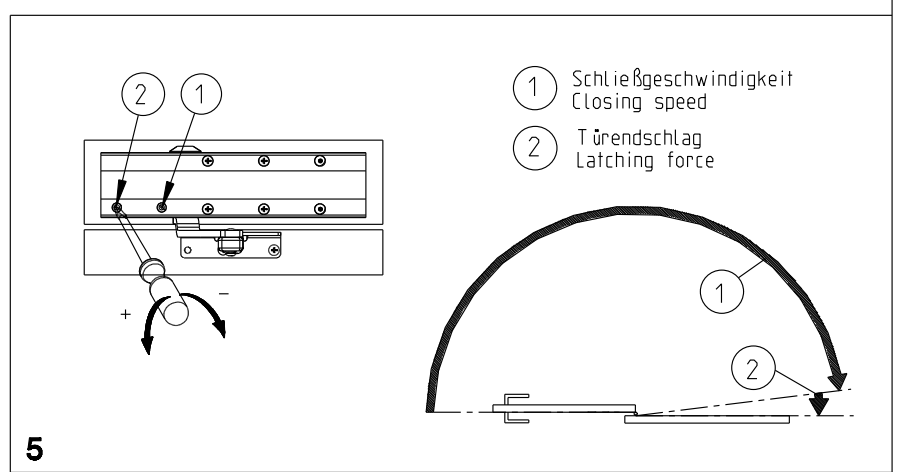
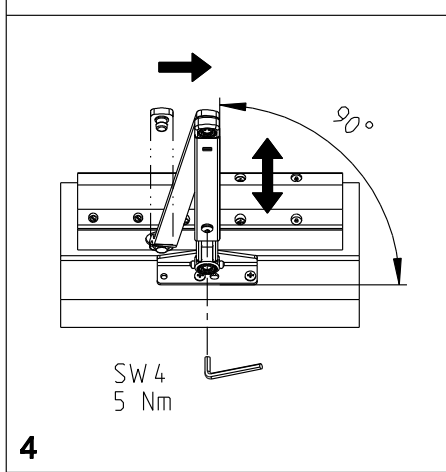
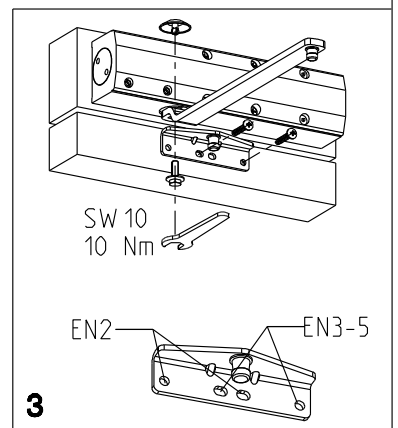
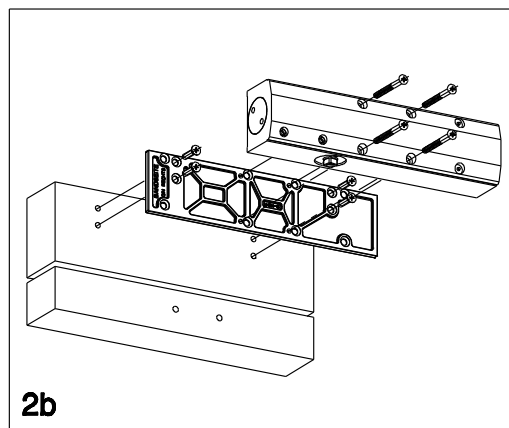
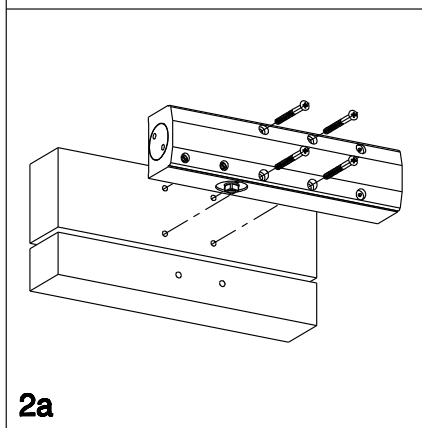
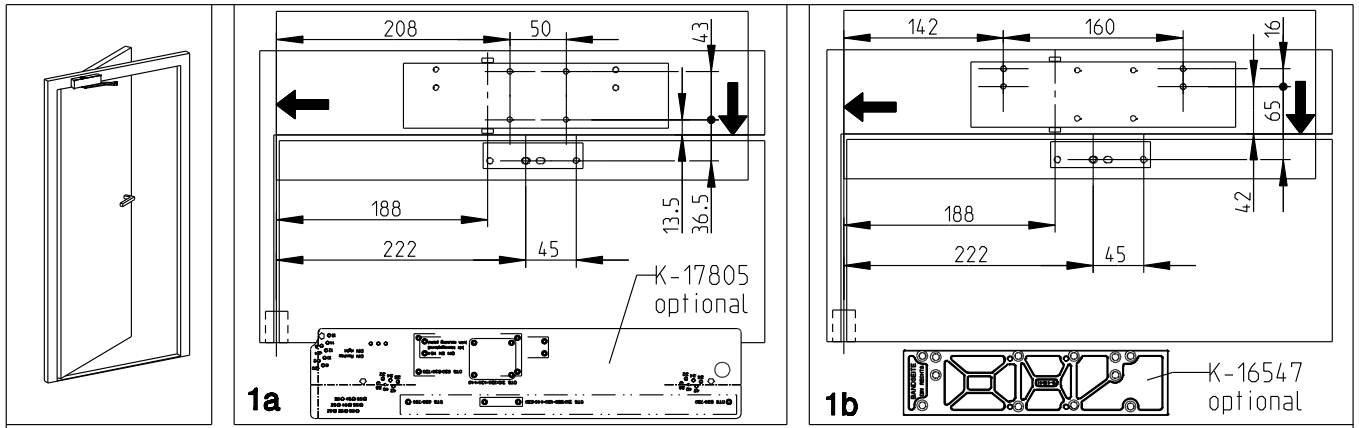


Montageanleitung / assembly instructions
20080521

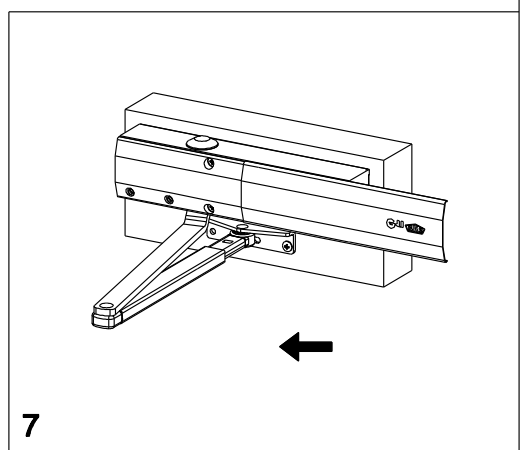
Description
OTS 430 /OTS 430 BC Kopfmontage Bandgegenseite,DIN links K-17051/K-17982/K-17983
OTS430/430BC transom mount.opposite hinge side,DIN left K-17051/K-17982/K-17983

	Release No. --	Level released	Scale %	Modification 3	Size 4	
	Mod. No. G24616	Ver. --				Si
	Draft 17.02.2010	Se				
Replacement for M-00097, M-00112				Drawing No. 0-45360-PF-0-0	Sheet 3/4	

Proprietary rights apply in accordance with ISO 16016.



Schließkraft closing force		
EN	≤ B	U
2	850mm	0
3	950mm	0
4	1100mm	+ 6
5	1250mm	+16



Montageanleitung / assembly instructions
20080521

Description
OTS 430/OTS430 BC Kopfmontage Bandgegenseite, DIN rechts K-17051/K-17982/K-17983
OTS430/430BC transom mount.opposite hinge side, DIN right K-17051/K-17982/K-17983

	Release No.	Level		Scale	Modification	Size	
	--	released					
	Mod. No.	Ver.	--				Si
G24616	Draft	17.02.2010	Se	Drawing No.	Sheet		
Replacement for M-00097, M-00112					0-45360-PF-0-0		4 / 4