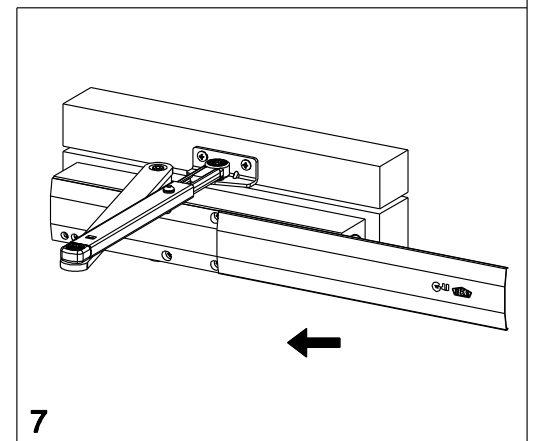


Schließkraft closing force		
EN	≤ B	U
2	850mm	- 6
3	950mm	- 5
4	1100mm	0
5	1250mm	+ 5
6	1400mm	+ 12



Montageanleitung / assembly instructions

Proprietary rights apply in accordance with ISO 16016.

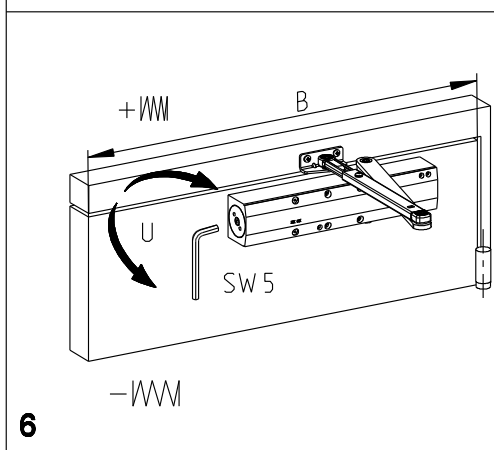
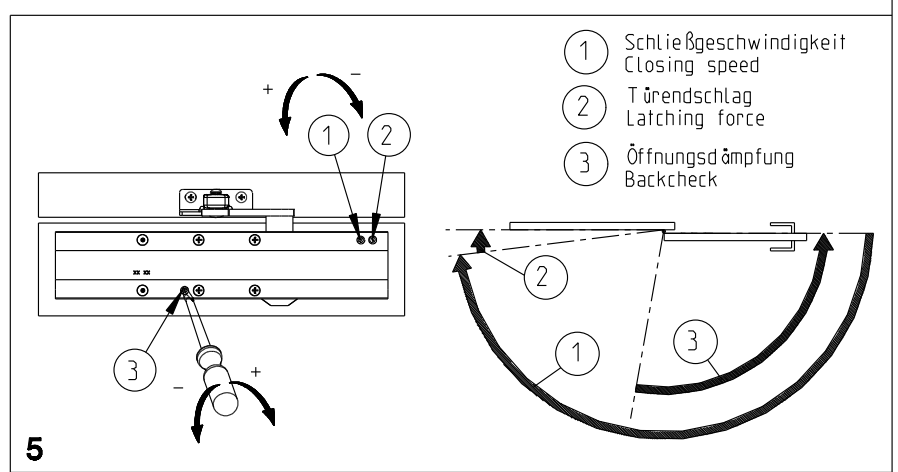
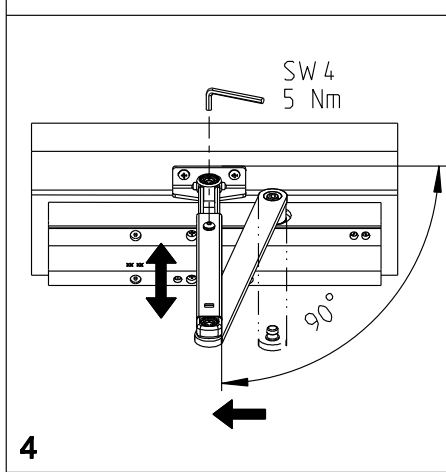
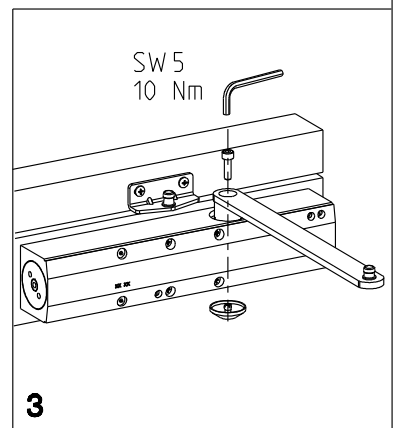
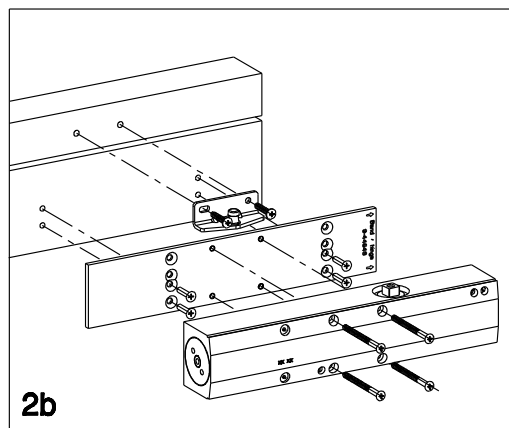
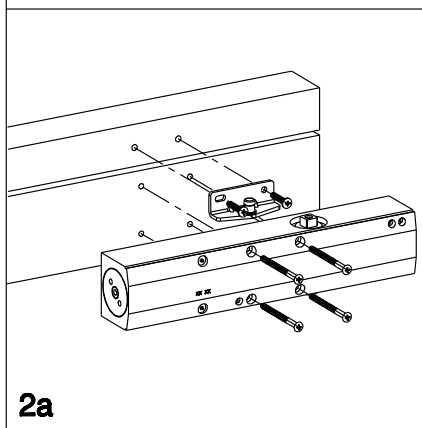
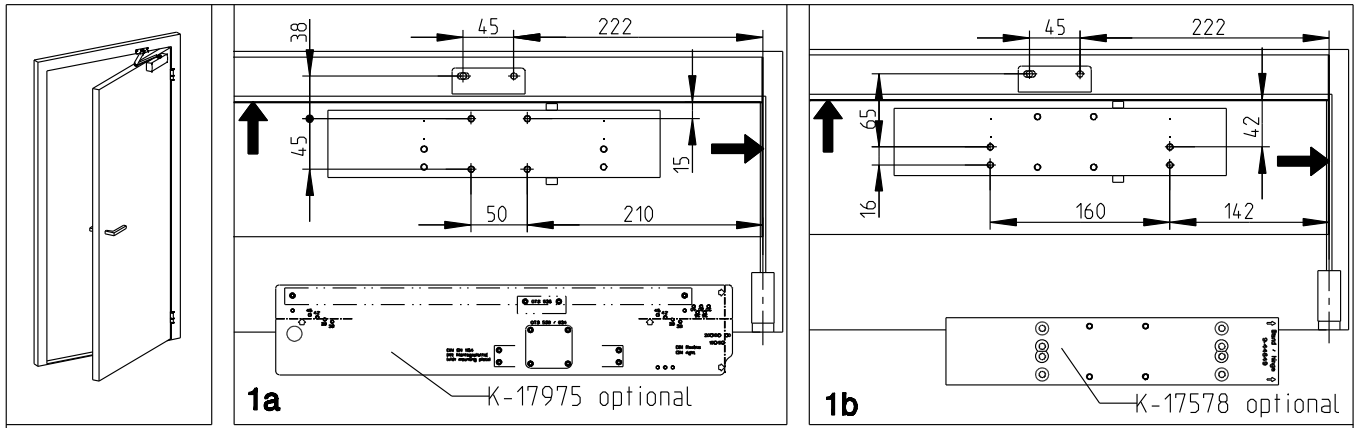
Description

OTS 536 Normalmontage Bandseite, DIN links K-17729/ K-17920

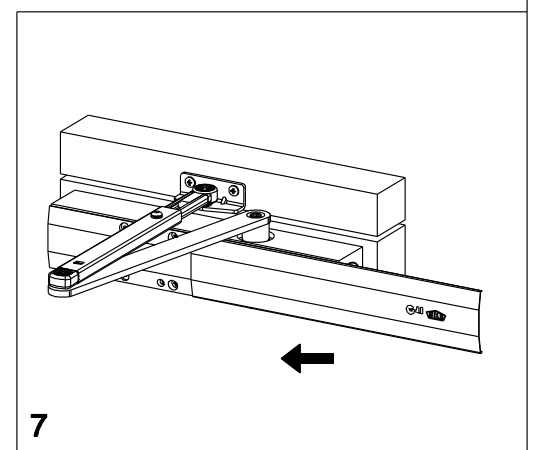
OTS 536 standard mounting on hinge side, DIN left K-17729/ K-17920

	Release No. --	Level released	Scale %	Modification 3	Size 4
	Mod. No. G24616	Ver. --	Si		Drawing No. 0-45431-PG-0-0
	Replacement for --	Draft 23.11.09	Ws		

Proprietary rights apply in accordance with ISO 16016.



Schließkraft- closing force		
EN	≤ B	U
2	850mm	- 6
3	950mm	- 5
4	1100mm	0
5	1250mm	+ 5
6	1400mm	+ 12



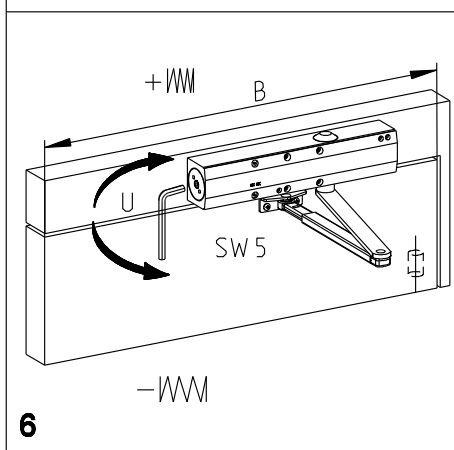
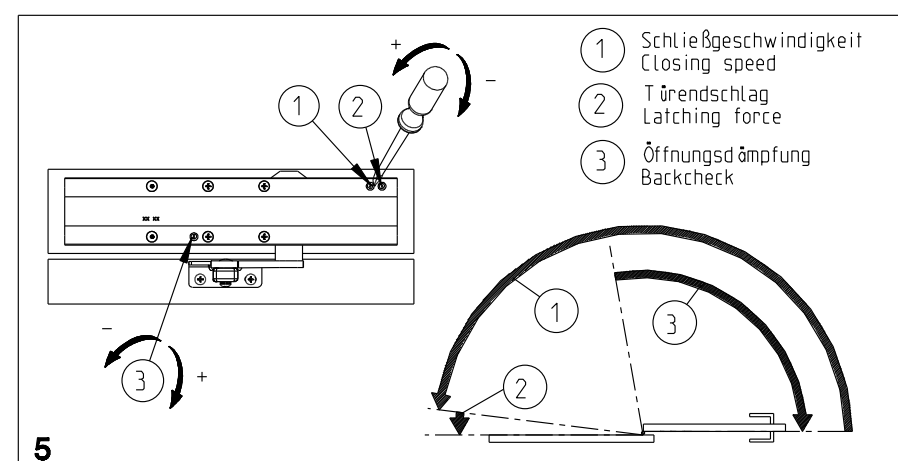
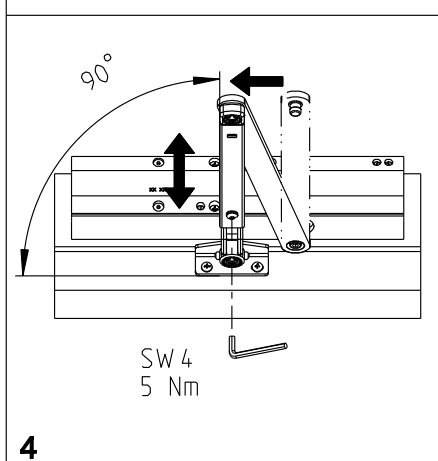
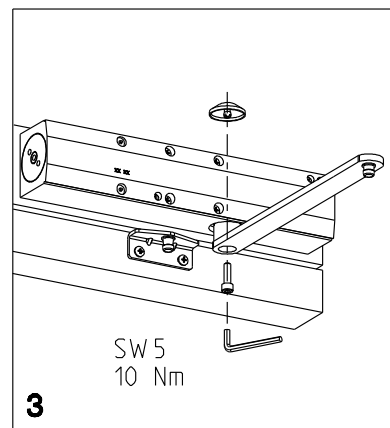
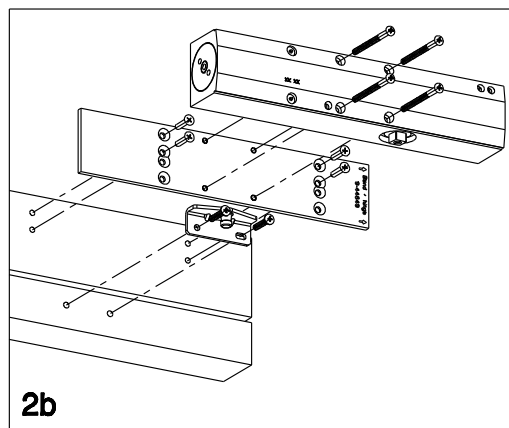
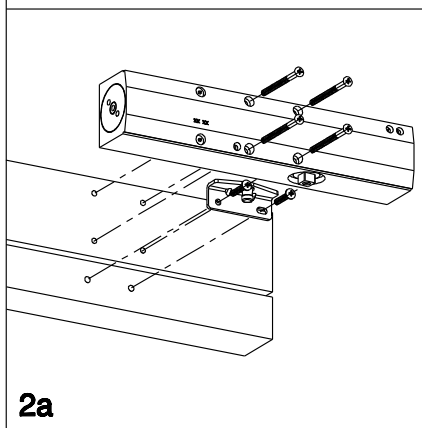
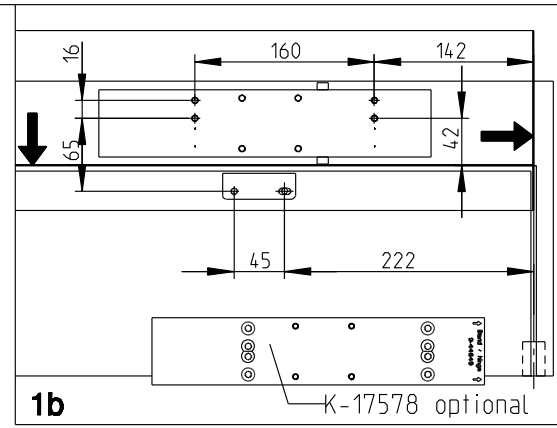
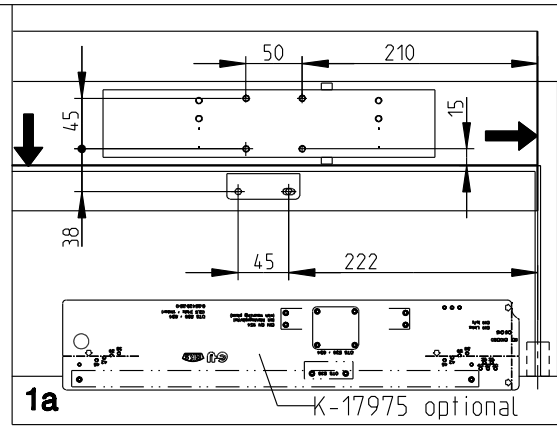
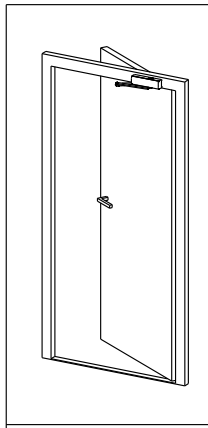
Montageanleitung / assembly instructions
20080521

Description
OTS 536 Normalmontage Bandseite, DIN rechts K-17729/ K-17920

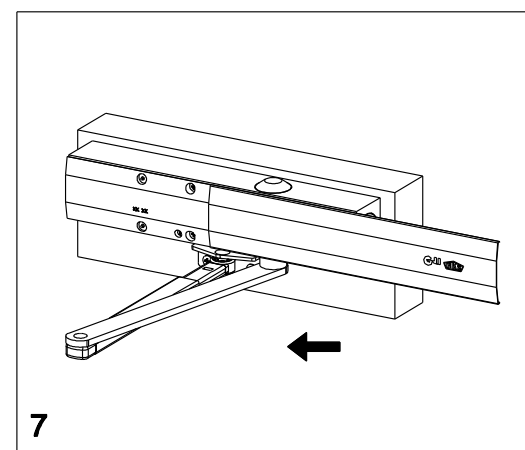
OTS 536 standard mounting on hinge side, DIN right K-17729/ K-17920

	Release No. --	Level	released		Scale	Modification	Size
	Mod. No. G24616	Ver.	--	Si			
	Replacement for --	Draft	02.12.09	Se		Drawing No. 0-45431-PG-0-0	Sheet 2/4

Proprietary rights apply in accordance with ISO 16016.



Schließkraft closing force		
EN	≤ B	U
2	850mm	- 6
3	950mm	- 5
4	1100mm	0
5	1250mm	+ 5
6	1400mm	+ 12

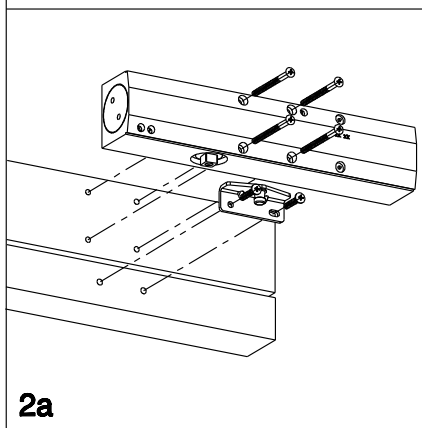
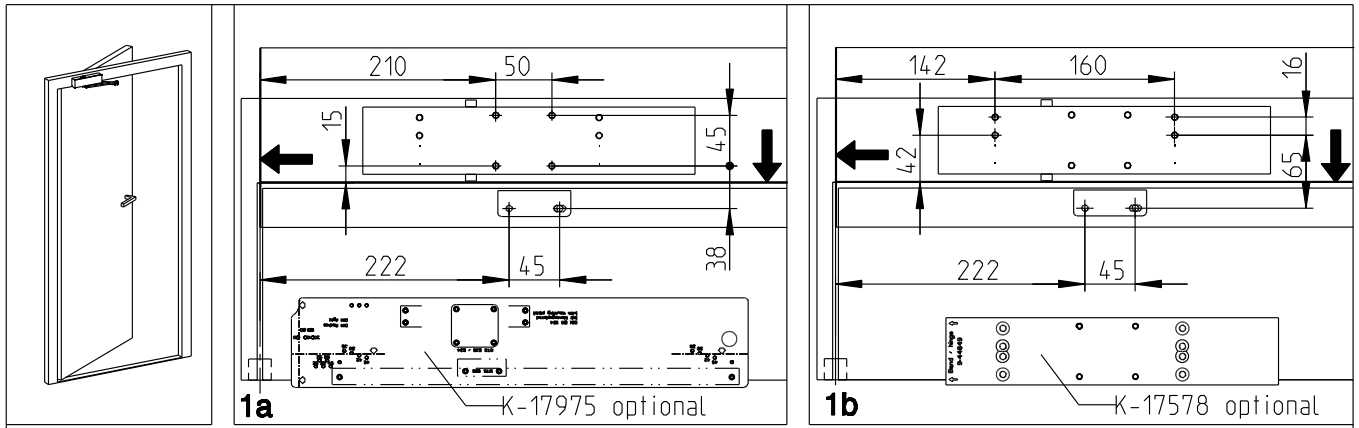


Montageanleitung / assembly instructions
20080521

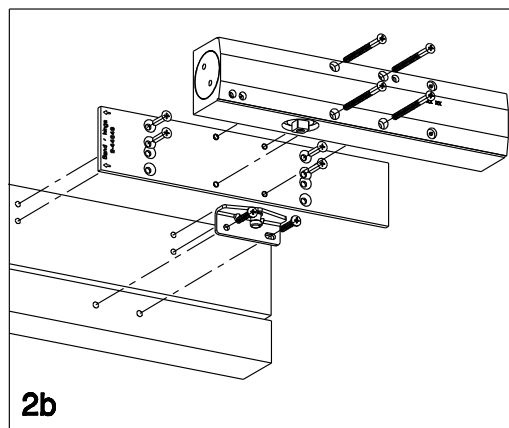
Description
OTS 536 Kopfmontage Bandgegenseite, DIN links K-17729/ K-17920
OTS 536 transom mounting opposite to hinge side, DIN left K-17729/ K-17920

 	Release No. --	Level released	Scale %		Modification 3	Size 4
	Mod. No. G24616	Ver. --	Si			Drawing No. 0-45431-PG-0-0
	Replacement for --		Draft 07.12.09	Se		

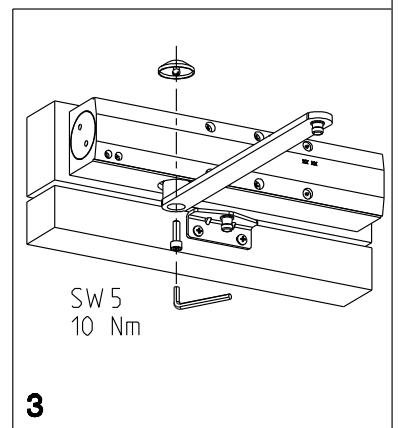
Proprietary rights apply in accordance with ISO 16016.



2a

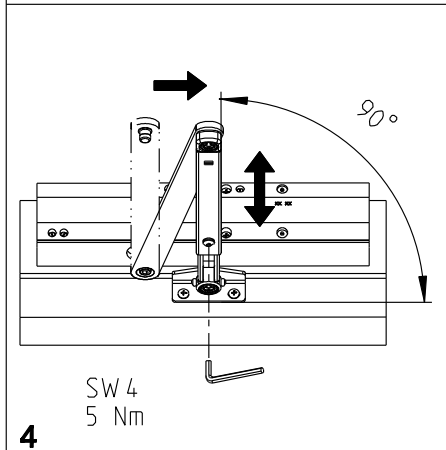


2b



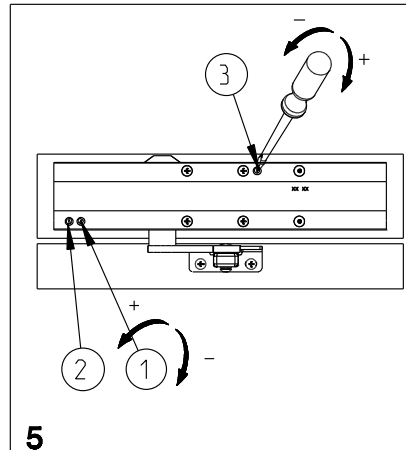
3

SW 5
10 Nm



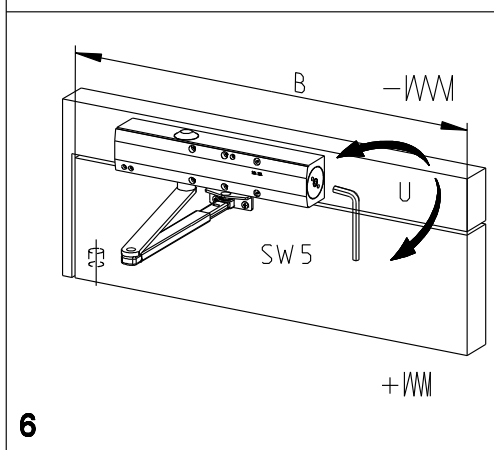
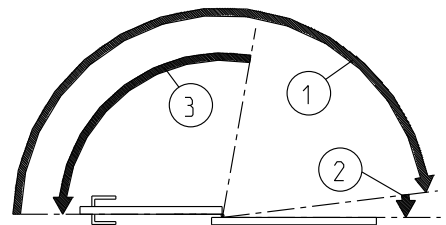
4

SW 4
5 Nm



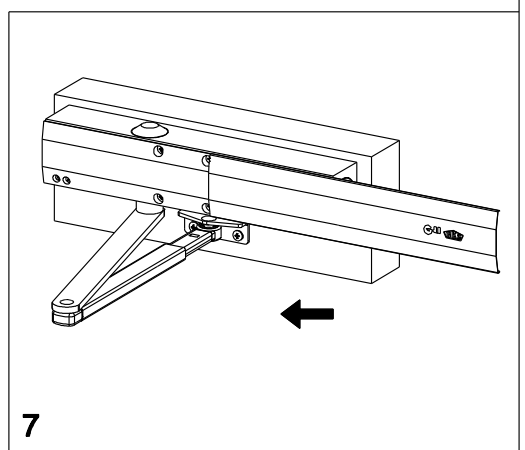
5

- ① Schließgeschwindigkeit
Closing speed
- ② Türendschlag
Latching force
- ③ Öffnungs-dämpfung
Backcheck



6

Schließkraft closing force		
EN	≤ B	U
2	850mm	- 6
3	950mm	- 5
4	1100mm	0
5	1250mm	+ 5
6	1400mm	+ 12



7

Montageanleitung / assembly instructions
20080521

Description
OTS 536 Kopfmontage Bandgegenseite, DIN rechts K-17729/ K-17920
OTS 536 transom mounting opposite to hinge side, DIN right K-17729/ K-17920

	Release No. --	Level released	Scale %	Modification 3	Size 4	
	Mod. No. G24616	Ver. --				Si
	Replacement for --	Draft 07.12.09				Se
				Drawing No. 0-45431-PG-0-0	Sheet 4 / 4	