

DICTATOR "DIREKT" Gate Closer For Access Gates in Boundary Fences

The DICTATOR gate closer DIREKT is the **economic** solution for the **reliable** and **controlled closing** of **outside gates**, such as admission gates to kinder gardens (thus preventing the children from running out into the street), schools, industrial plants or just normal garden entrance doors. Unlike a normal closing spring the gate is not thrown shut. The gate closer DIREKT **reduces the danger of injuries** and accidents, e.g. pinched fingers, and prevents the gate from hitting the person just passing through the gate.

It is as **easy to install** as a normal closing spring. But unlike the normal closing springs its **closing speed** can be **adjusted continuously**.

Depending on the gate and the hinges you either use the **DIREKT 150** or the **DIREKT 200**.

The gate closer DIREKT can be installed on gates with normal, ascending and screw hinges.



Technical Data

Material piston rod	chrome plated steel, AISI 304, AISI 316L
Material cylinder	zinc-plated steel coated black/grey/white, AISI 304, 316L
Material protection tube	aluminium coated black/grey/white, AISI 304, AISI 316L
Opening angle	up to max. 110°
Weight per door leaf	up to about 100 kg, depending on choosen model
Size per door leaf	max. height approx. 2500, width approx. 750 - 1500 mm
Closing force	depending on model/type of installation approx. 10 - 60 Nm
Closing speed	continuous adjusting



Operation and Application of the DIREKT

The gate closer DIREKT operates directly on the gate/door without the help of any lever. It is fixed on one side to the pillar or the door frame. Its other side is fixed to the door or gate. It operates similar to a gas spring. When the door is opened the piston rod of the gate closer is compressed. The pressure of the gas inside the gate closer now acts on the piston. The piston rod extends and closes the door/gate. As the cylinder of the gate closer also contains hydraulic oil, the closing speed is controlled and slowed down. By using nitrogen gas instead of a helical spring, much higher closing forces can be achieved. Thus the gate closer DIREKT always closes the door/gate reliably despite its small dimensions.

Selection Criteria

The DIREKT is available in two different lengths: with a stroke of 150 and 200 mm. Usually the DIREKT 150 will be the correct choice. The DIREKT 200 is especially designed for wide gates and disadvantageous hinge and pillar situations.

In general you can use the mounting accessories described on pages 02.049.00 respectively 02.051.00.

For doors with ascending hinges we supply a special type of DIREKT with ball and socket joint on both ends. More details you will find on page 02.050.00.

	DIREKT 150	DIREKT 200
Weight per gate leaf	up to approx. 80 kg	up to approx. 100 kg
Height per gate leaf	up to approx. 2500 mm	up to approx. 2500 mm
Width per gate leaf	approx. 750 - 1200 mm	approx. 750 - 1500 mm**
Closing force*	approx. 10 - 25 Nm	approx. 10 - 60 Nm

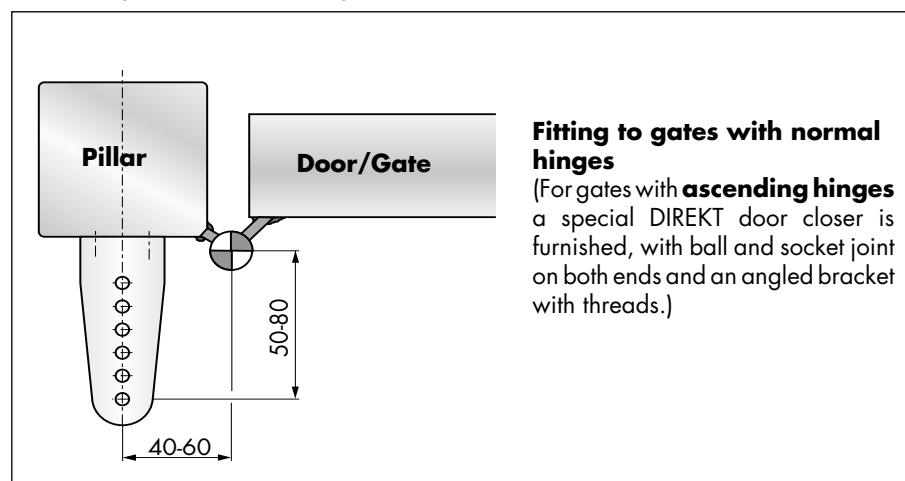
* depending on the installation and the type

** If the gate is wider, please ask.

To ensure the correct functioning of the DIREKT 150 and DIREKT 200, certain distances to the hinges have to be observed. These distances are determined by the type of the hinge and the possibility to fix the mounting bracket.

Dimensions to be Observed DIREKT 150

The following drawings show some typical hinge situations and their optimum installation measurements. Basically applies that the dimension given with 50 - 80 mm should be as large as possible. The force of the DIREKT is the higher the farther away from the pillar is the fixing hole in the mounting bracket to which is fixed the DIREKT.



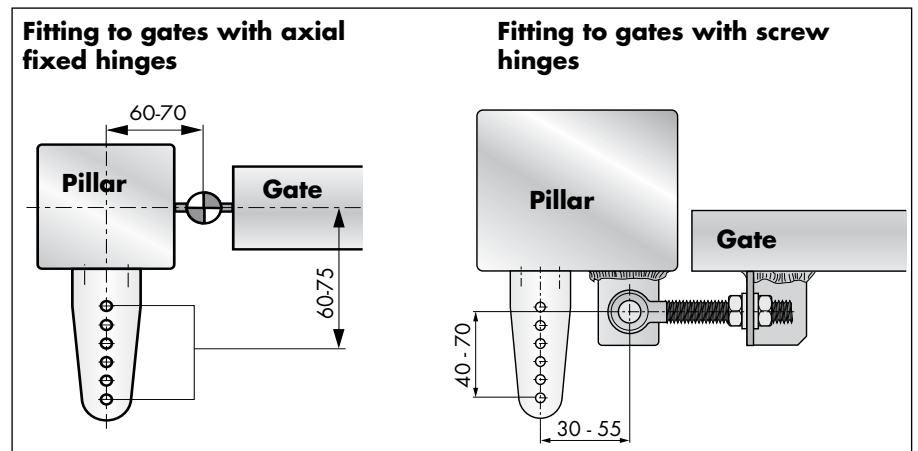
Continued on the following page



Application of DIREKT 150 - cont.

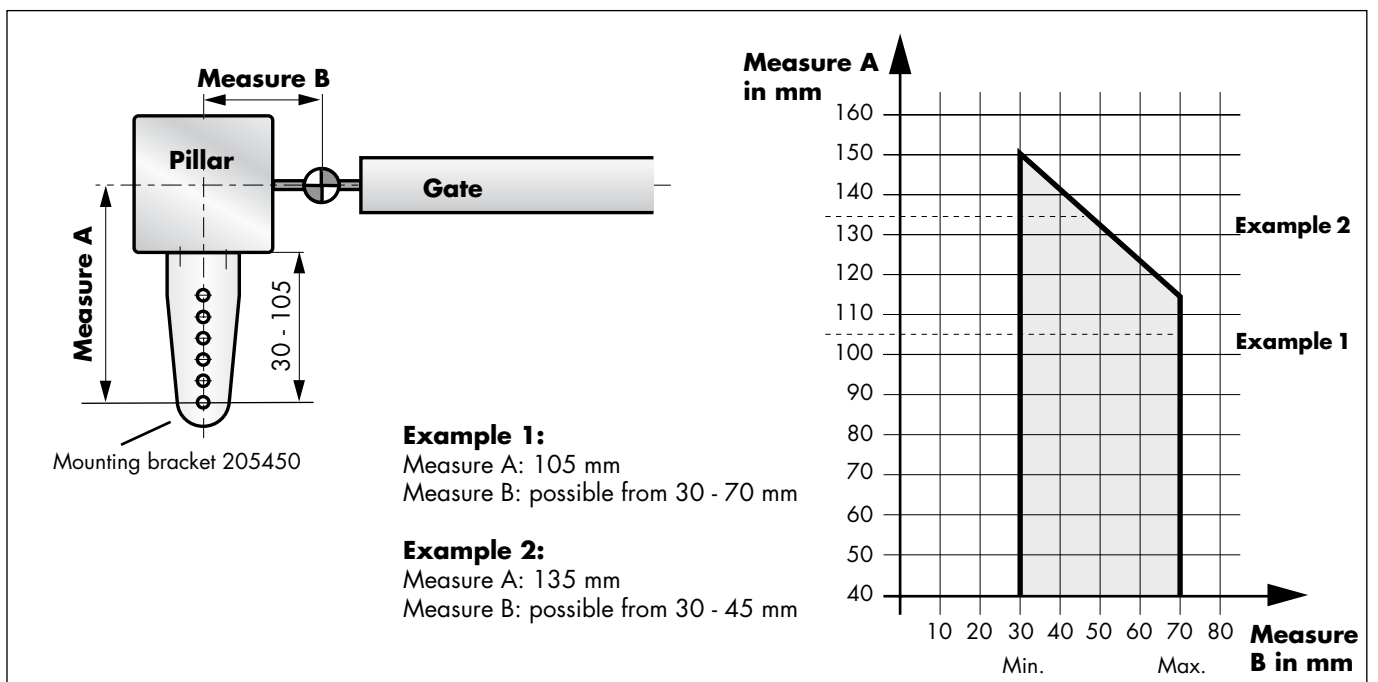
To ensure a sufficient closing force during the final closing process, the angle of the DIREKT to the closed door should be as advantageous as possible. This result is obtained by fitting the DIREKT to a hole of the mounting bracket as far away from the pillar as possible.

Dimensions to be Observed DIREKT 150 - cont.



Dimensions to be Observed DIREKT 200

The following drawing and diagram show the possible fitting dimensions for the **DIREKT 200** with default mounting bracket. The fixing points of the bracket are placed at a distance of 30 - 105 mm to the leading edge of the pillar. To this number you add the distance from the middle of the hinge to the leading edge of the pillar. Depending on the possible mounting measure B measure A may amount to a maximum of 115 to 150 mm, see diagram. A value A as high as possible will optimize the force path during closing.



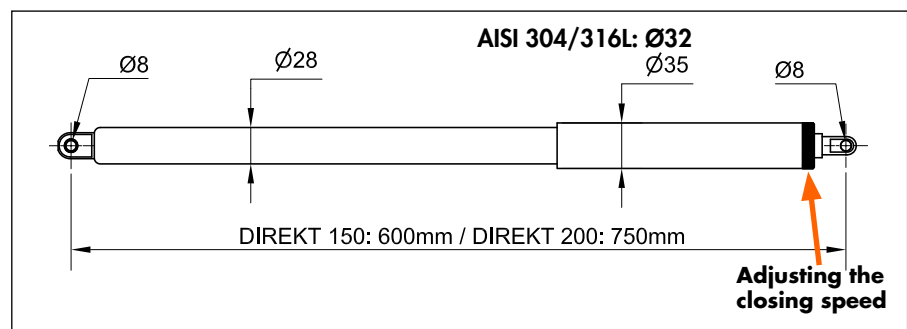


Dimensions DIREKT, Order Information

The only difference between the door closers DIREKT 150 and DIREKT 200 is their length. Both types are available with different finishes and from stainless steel (AISI 304 and AISI 316L). The accessories are either zinc-plated or also from stainless steel.

The door closers DIREKT are provided with diverse closing forces. For smooth-running doors, which easily fall shut or which do not have a latch, the closing force of 400 N is sufficient. You should choose the DIREKT with 600 N, if you have to push harder. In case the closing force is too high, it can be reduced on site by releasing some gas via the integrated valve.

Dimensions DIREKT 150 /DIREKT 200



Order Information

Model of gate closer DIREKT	with accessories* part no.	without acc. part no.
Gate closer DIREKT II 150, 400 N, grey	392301-2	392311-2
Gate closer DIREKT II 150, 600 N, grey	392309-2	392319-2
Gate closer DIREKT II 150, 400 N, black	392300-2	392310-2
Gate closer DIREKT II 150, 600 N, black	392308-2	392318-2
Gate closer DIREKT II 150, 400 N, white	392302-2	392312-2
Gate closer DIREKT II 150, 400 N, AISI 304	392400-2	392410-2
Gate closer DIREKT II 150, 600 N, AISI 304	392401-2	392411-2
Gate closer DIREKT II 150, 400 N, AISI 316L	392480	392481
Gate closer DIREKT II 150, 600 N, AISI 316L	392484	392485
Gate closer DIREKT II 200, 400 N, grey	392363-2	392373-2
Gate closer DIREKT II 200, 600 N, grey	392366-2	392361-2
Gate closer DIREKT II 200, 400 N, black	392364-2	392365-2
Gate closer DIREKT II 200, 600 N, black	392369-2	---
Gate closer DIREKT II 200, 400 N, white	392367-2	392368-2
Gate closer DIREKT II 200, 400 N, AISI 304	392463-2	392464-2
Gate closer DIREKT II 200, 600 N, AISI 304	392466-2	392460-2
Gate closer DIREKT II 200, 400 N, AISI 316L	392482	392483
Gate closer DIREKT II 200, 600 N, AISI 316L	392486	392487

*By default the DIREKT with accessories include the following parts:
DIREKT grey, black, white:
 one piece each of 205450 and 205197
DIREKT of AISI 304:
 one piece each of 205451 and 205249
DIREKT of AISI 316L:
 one piece each of 205454 and 205455

Mounting accessories	zinc-plated	AISI 304	AISI 316L
Angled bracket for slender pillars	205450	205451	205454
Bracket	205197	205249	205455
Angled bracket, wide, for special cases	205264	205267	-

Stainless steel details:

AISI 304 = 1.4301
 AISI 316L = 1.4404



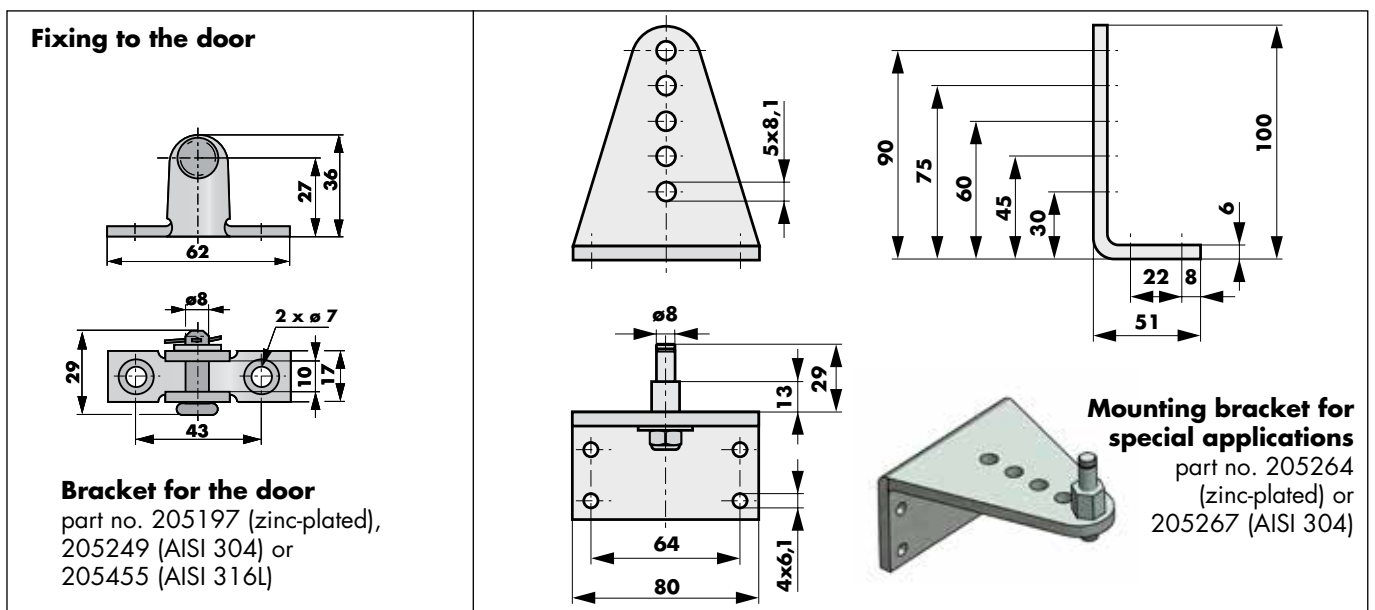
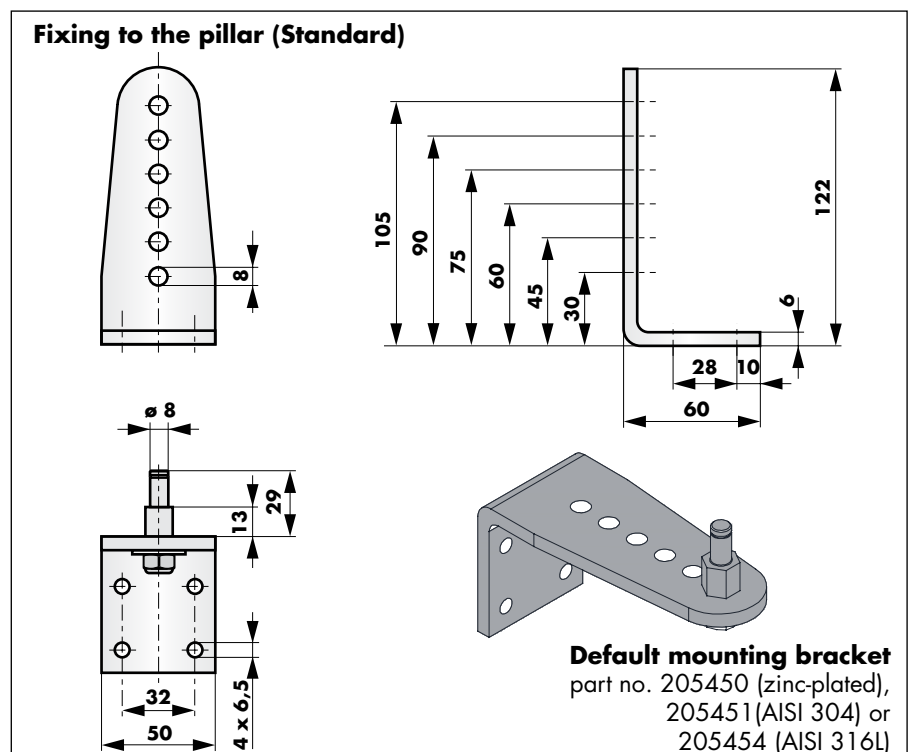
Mounting Accessories

Usually the gate closer DIREKT is provided as a set, including the mounting accessories. In the following drawings you will find the dimensions. The special fixing accessories for the DIREKT for ascending hinges you will find on page 02.051.00.

The mounting accessories are available in zinc-plated steel, AISI 304 or AISI 316L.

In addition to the standard mounting brackets DICTATOR also offers customised solutions. They are designed to exactly fit the respective pillars or constructions and guarantee the optimum functioning of the DIREKT also under special conditions. Please contact our technical service for help.

Dimensions Mounting Brackets



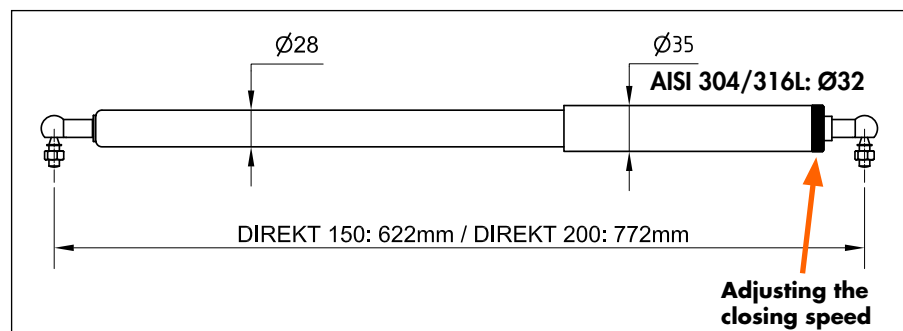


Dimensions and Order Information Gate Closer DIREKT for Gates with Ascending Hinges

The gate closer DIREKT can also be installed on gates with ascending hinges. For this application, however, it is furnished with a ball and socket joint on each side and therefore is slightly longer. The mounting brackets have M8 threads for holding the threaded ends. In general the same installation distances apply as with the normal DIREKT 150 and DIREKT 200.

Normally the DIREKT for ascending hinges require less force than the normal DIREKT models as, due to the ascending hinges, the closing of the door is supported by its own weight. The more the gate ascends when being opened and the heavier it is, the less closing force is required. Otherwise too much strength will be needed to open the gate.

Dimensions DIREKT 150 / DIREKT 200 for Gates with Ascending Hinges



Order Information

Gate closer DIREKT for ascending hinges	with accessories* part no.	without acc. part no.
Gate closer DIREKT II 150, 100 N, grey	392323-2	392333-2
Gate closer DIREKT II 150, 100 N, black	392329-2	392339-2
Gate closer DIREKT II 150, 100 N, white	392328-2	392338-2
Gate closer DIREKT II 150, 100 N, AISI 304	392421-2	392431-2
Gate closer DIREKT II 150, 100 N, AISI 316L	---	392490
Gate closer DIREKT II 150, 400 N, grey	392321-2	392331-2
Gate closer DIREKT II 150, 400 N, black	392320-2	392330-2
Gate closer DIREKT II 150, 400 N, white	392322-2	392332-2
Gate closer DIREKT II 150, 400 N, AISI 304	392420-2	392430-2
Gate closer DIREKT II 150, 400 N, AISI 316L	---	392491
Gate closer DIREKT II 200, 300 N, grey	---	392362-2
Gate closer DIREKT II 200, 300 N, AISI 304	---	392461-2
Gate closer DIREKT II 200, 400 N, grey	392374-2	392375-2
Gate closer DIREKT II 200, 400 N, black	392376-2	392377-2
Gate closer DIREKT II 200, 400 N, AISI 304	392467-2	392468-2
Gate closer DIREKT II 200, 400 N, AISI 316L	---	392492

**By default the DIREKT with accessories include the following parts:
DIREKT grey, black, white:
one piece each of 205452 and 205273
DIREKT of AISI 304:
one piece each of 205453 and 205274

Stainless steel details:

AISI 304 = 1.4301
AISI 316L = 1.4404

Mounting accessories	zinc-plated	AISI 304	AISI 316L
Bracket, pillar, for ascending hinges	205452	205453	205457
Bracket, gate, for ascending hinges	205273	205274	205458



Mounting Accessories for Gate Closer DIREKT for Gates with Ascending Hinges

Below you will find the dimensions of the mounting accessories for the gate closer DIREKT for gates with ascending hinges.

The mounting bracket for the gate in AISI 316 has a form differing from those in steel or AISI 304.

In addition to the standard mounting brackets DICTATOR also offers customized solutions. They are designed to exactly fit the respective pillars or constructions and guarantee the optimum function of the DIREKT also under special conditions. Please contact our technical service for help.

Dimensions Mounting Brackets for Gates with Ascending Hinges

Fixing to the pillar

Bracket for the pillar
for gates with ascending hinges,
part no. 205452 (zinc-plated), 205453 (AISI 304), 205457 (AISI 316)

Fixing to the gate

Bracket for the gate zinc-plated / AISI 304
part no. 205273 (zinc-plated),
205274 (AISI 304)

Bracket for the gate, AISI 316
part no. 205458

